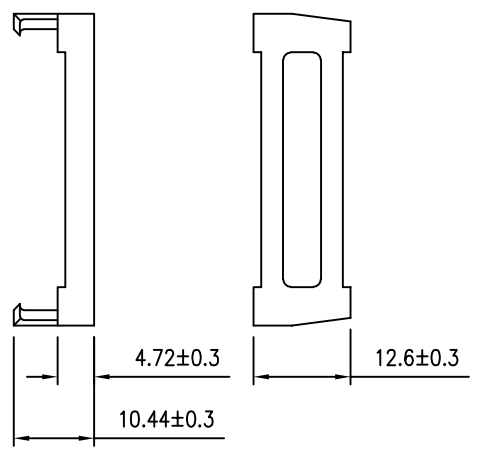
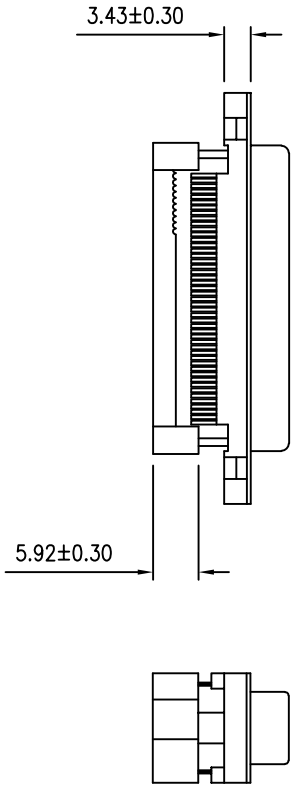
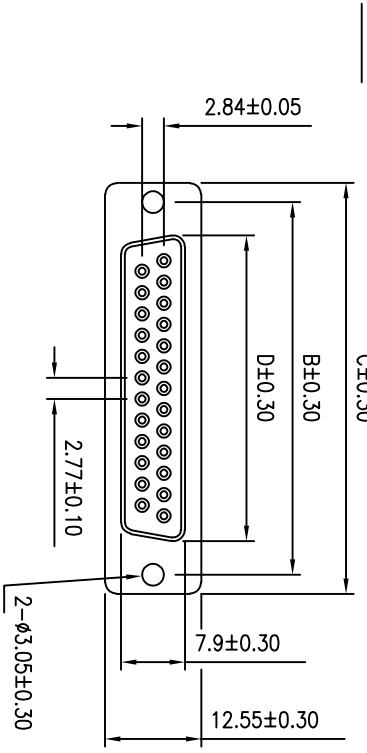
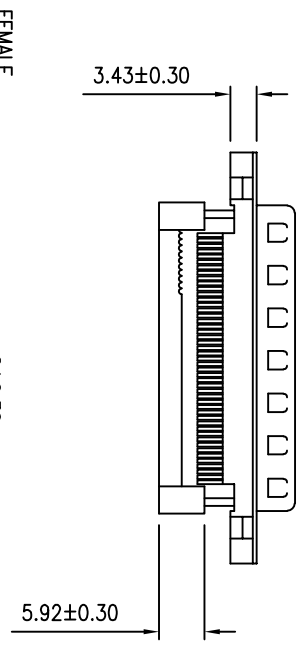
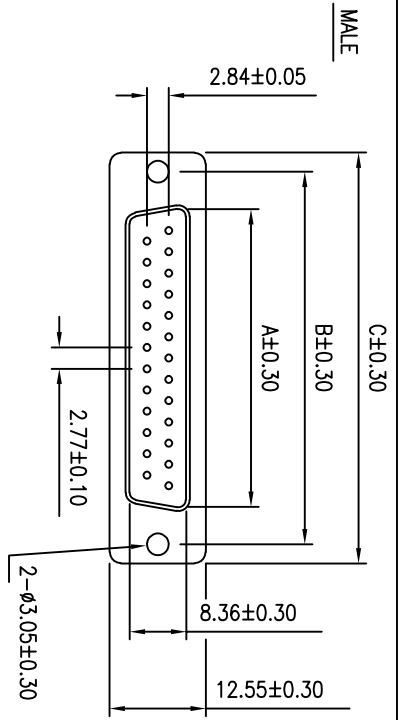


REV	ECN NO.	APP.	DATE
A	NEW DESIGN		



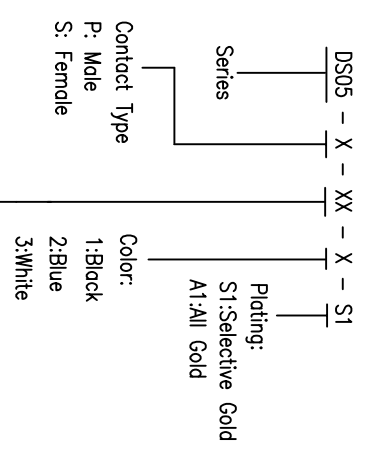
**SPECIFICATION**

- \* Current Rating: 5 A
- \* Withstanding Voltage: 1000 VAC ( 1 min. )
- \* Insulation Resistance: 1000 Megohms MIN.
- \* Contact Resistance: 30 Milliohms MAX.
- \* Operating Temperature: -40°C to +85°C

**MATERIAL**

- \* Contact: Brass , Selective Gold or All Gold
- \* Insulator: PBT & 30% G. F.
- \* Shell: Steel , Tin Plated

**ORDER INFORMATION**



PART NO.	A	B	C	D
DS05-X-09-S1	16.92	24.99	30.81	16.33
DS05-X-15-S1	25.25	33.32	39.14	24.66
DS05-X-25-S1	38.96	47.04	53.04	38.38
DS05-X-37-S1	55.42	63.50	69.32	54.84

SHINHWHA TECH CO.,LTD

0.0±	SCALE:	TITLE:	PART NO.:
0.00±	0.00±	D-SUB CONNECTOR	
0.000±	UNIT: MM	I.D.C Type	APP BY:
		MATL: PBT + 30% G.F.	CHK BY:
		DWG. NO. DS05	DR BY: